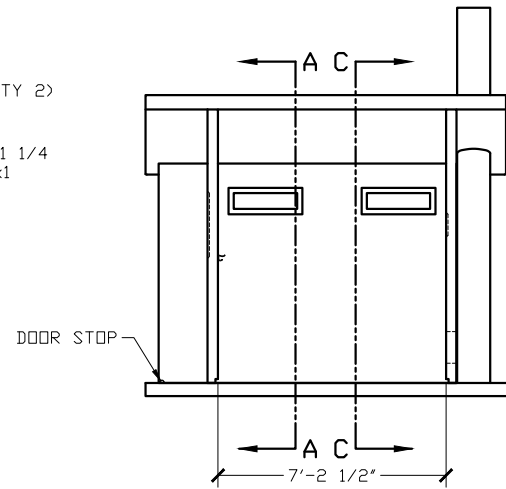
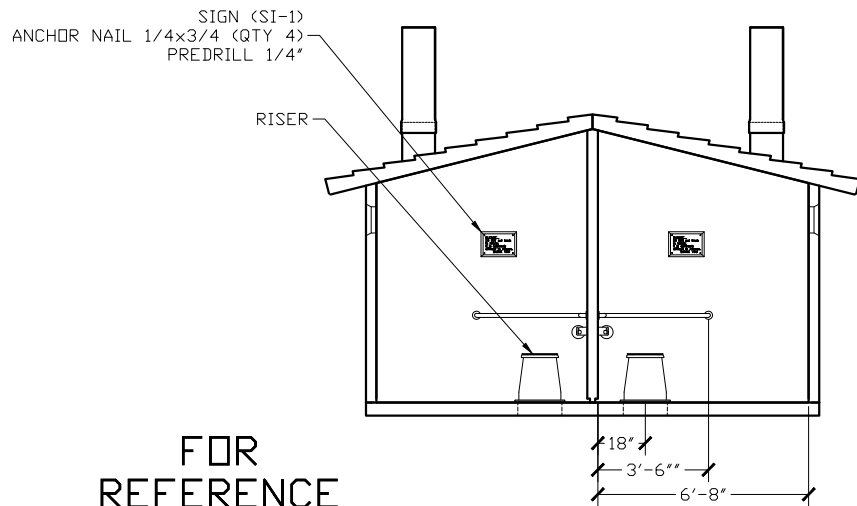


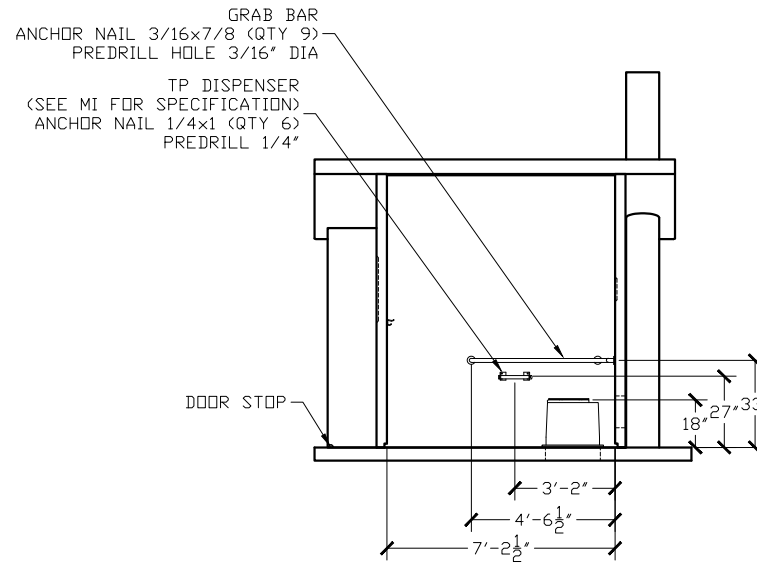
SECTION A - A



SECTION B - B



SECTION C - C



SECTION D - D

FOR
REFERENCE
ONLY

| EMBEDDED MATERIALS | | | |
|----------------------|-----|----------------------|--------------------|
| ITEM | QTY | ITEM | QTY |
| RISER | 2 | ONE WAY OVAL 8x1 1/4 | 4 |
| GRAB BAR | 2 | ANCHOR LEAD 6-8x1 | 4 |
| TP DISPENSER | 2 | BLIND RIVET 1/8x1/4 | 4 |
| TOILET PAPER ROLL | 4-6 | | |
| COAT HOOK | 2 | | |
| DOOR STOP | 2 | | |
| SI-1 | 2 | | |
| BLIND RIVET 1/8x1/4 | 4 | | |
| CXT I.D. TAG | 2 | | |
| ANCHOR NAIL 1/4x1 | 12 | | |
| ANCHOR NAIL 1/4x3/4 | 8 | | |
| ANCHOR NAIL 3/16x7/8 | 18 | | |
| CU. FT. CONC. | | SQ. FT. W.W.F. | APPROXIMATE HEIGHT |



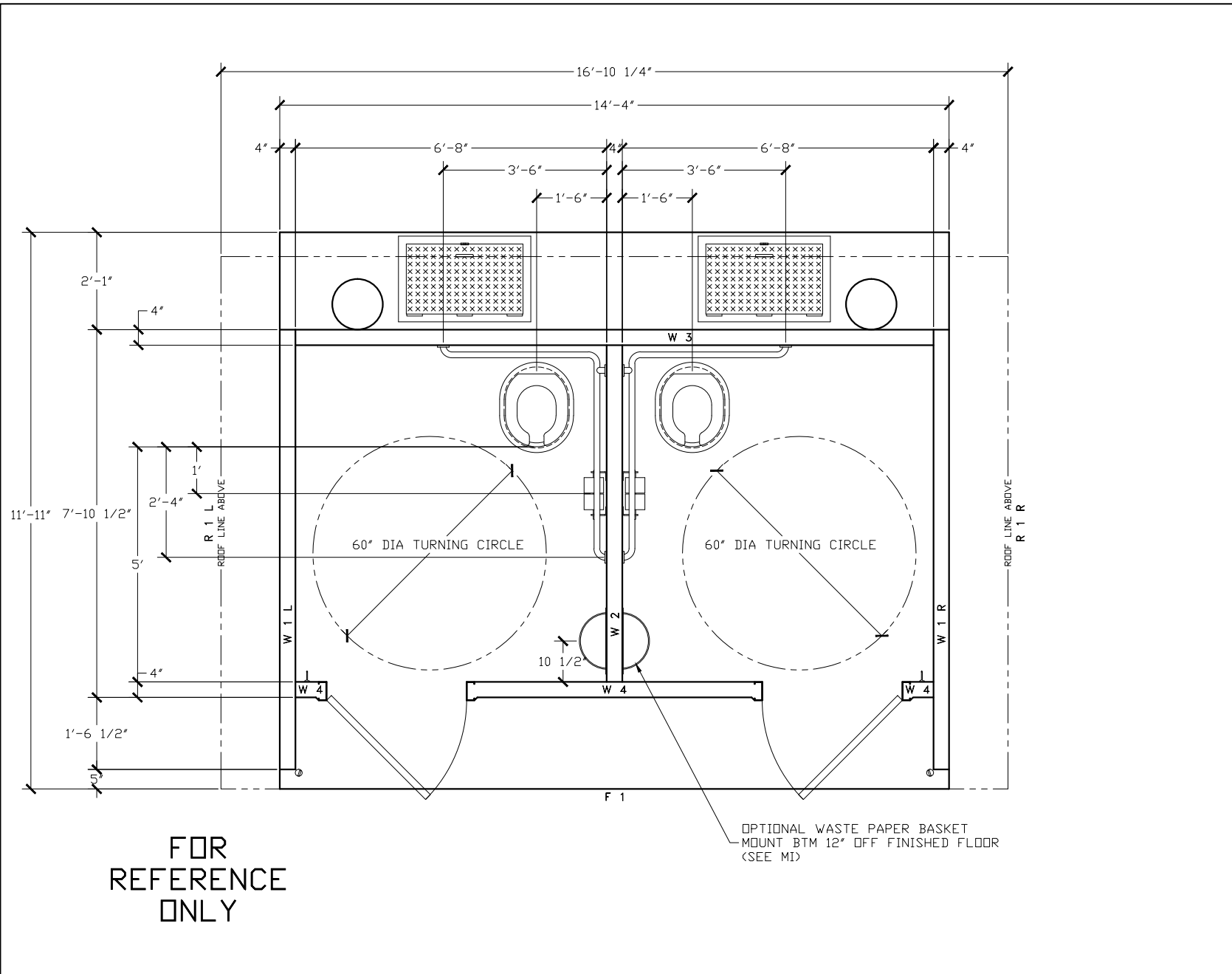
PROJECT TITLE
TIOGA
CXT STANDARD BUILDING

NOTICE
The information contained herein is proprietary and the exclusive property of CXT Incorporated. The information may only be used by the original recipient for the purpose intended. Reproduction or distribution of this information is strictly prohibited without the prior written consent of CXT Incorporated. By allowing use of this information, CXT Incorporated grants no warranty, express or implied, including a warranty of merchantability or of fitness for a particular purpose.

| REV. | DESCRIPTION | APPROVAL | DATE |
|---------|-------------|----------|----------|
| SCALE | 1/4"=1'-0" | DATE | 07-19-16 |
| DRAWN | FILE NO. | PD-T03 | |
| CHECKED | PLOT | 48 | |

INTERIOR ELEVATIONS

| | | |
|-----------------|-------|------|
| DWG NO. T-03 | SHEET | REV. |
|-----------------|-------|------|



PROJECT TITLE
TIOGA
 CXT STANDARD BUILDING

NOTICE
 The information contained herein is proprietary and the exclusive property of CXT Incorporated. The information may only be used by the original recipient for the purpose intended. Reproduction or distribution of this information is strictly prohibited without the prior written consent of CXT Incorporated. By allowing use of this information, CXT Incorporated grants no warranty, express or implied, including a warranty of merchantability or of fitness for a particular purpose.

| | | | |
|------------------|--|--|--|
| CXT Incorporated | | | |
| | | | |
| | | | |
| | | | |

| REV. | DESCRIPTION | APPROVAL | DATE |
|---------|--------------|----------|----------|
| SCALE | 1/2" = 1'-0" | DATE | 07-19-16 |
| DRAWN | FILE NO. | PD-T04 | |
| CHECKED | PLOT | 24 | |

FLOOR PLAN

| | | |
|---------|-------|------|
| DWG NO. | SHEET | REV. |
| T-04 | | |