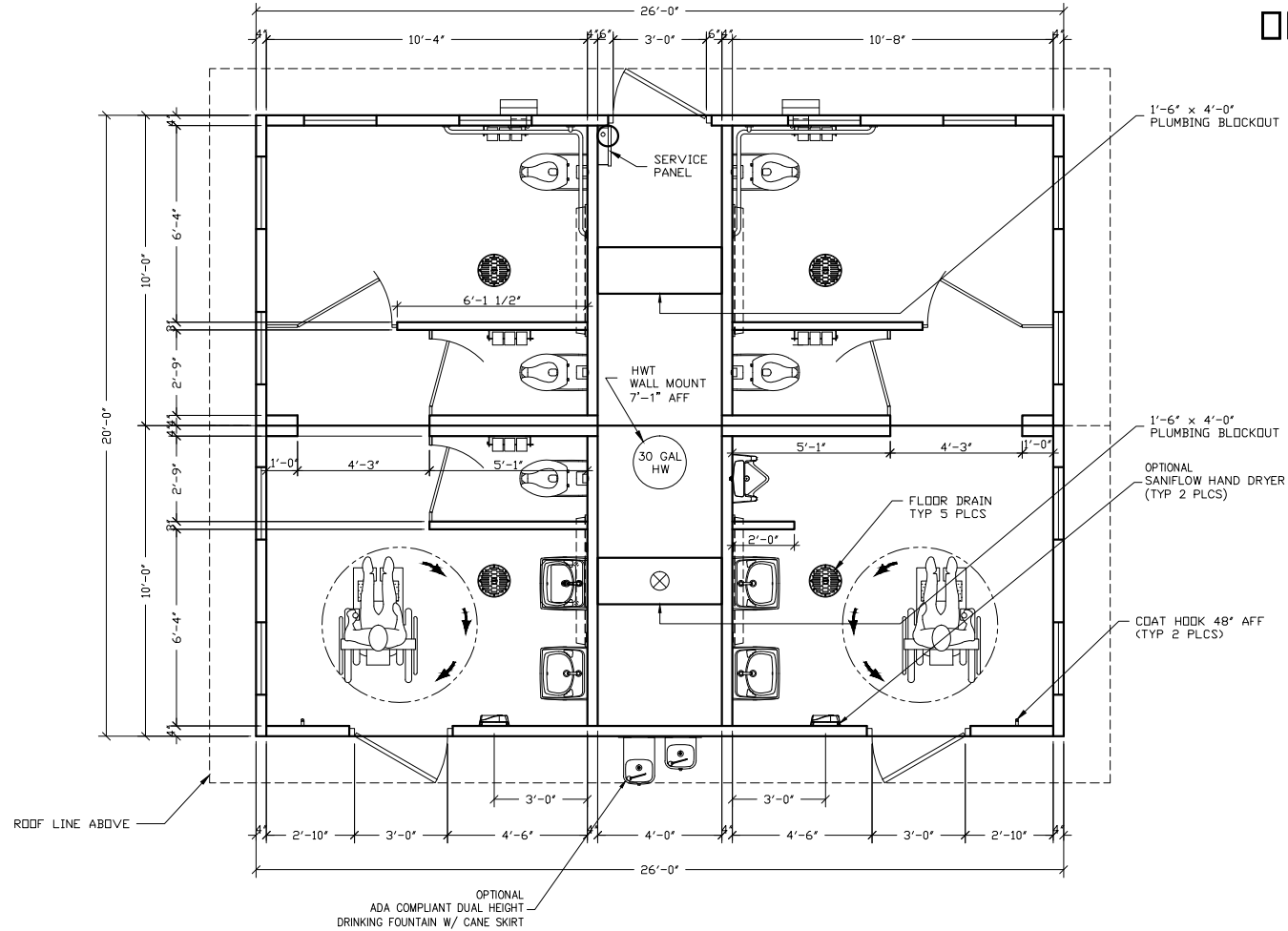


FOR
REFERENCE
ONLY



NOTES: 1. SEE DRAWING TA-28 FOR SIZE AND LOCATION OF FLOOR BLOCKOUTS

3808 N. Sullivan Bldg. #7 Spokane, WA 99216

CXT
Precast Products

901 N. Highway 77 Hillsboro, TX 76645

PROJECT NAME
TAOS
CXT STANDARD BUILDING

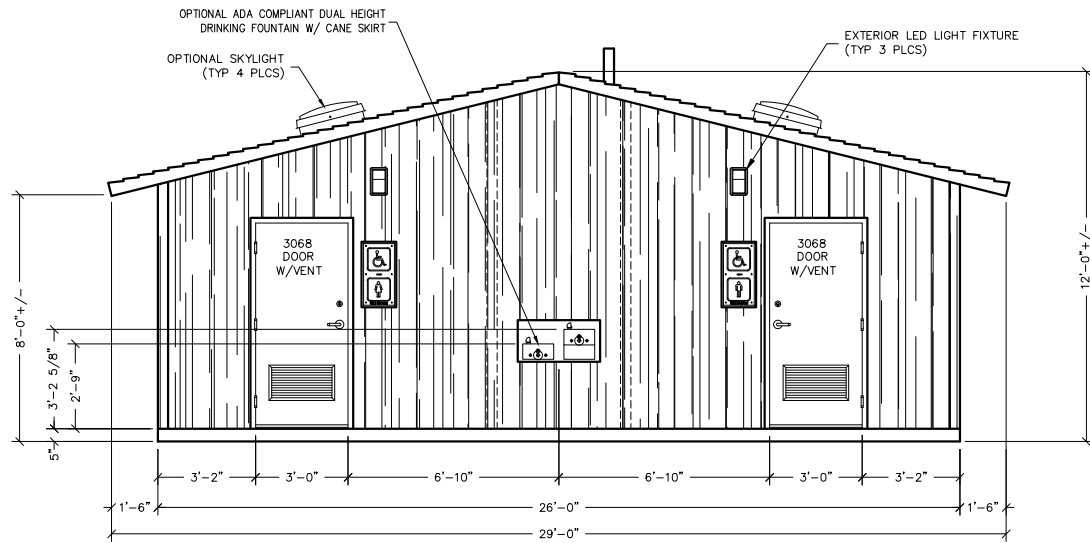
NOTICE
The information contained herein is proprietary and the exclusive property of CXT Incorporated. The information may only be used by the original recipient for the purpose intended. Reproduction or distribution of this information is strictly prohibited without the prior written consent of CXT Incorporated. By allowing use of this information, CXT Incorporated grants no warranty, express or implied, including a warranty of merchantability or of fitness for a particular purpose.

CXT Incorporated

REV.	DESCRIPTION	DATE	APPROVAL
SCALE	1/4"=1'-0"	DATE	04-30-16
DRAWN		FILE NO.	FD-TAOS
CHECKED		PLOT	48

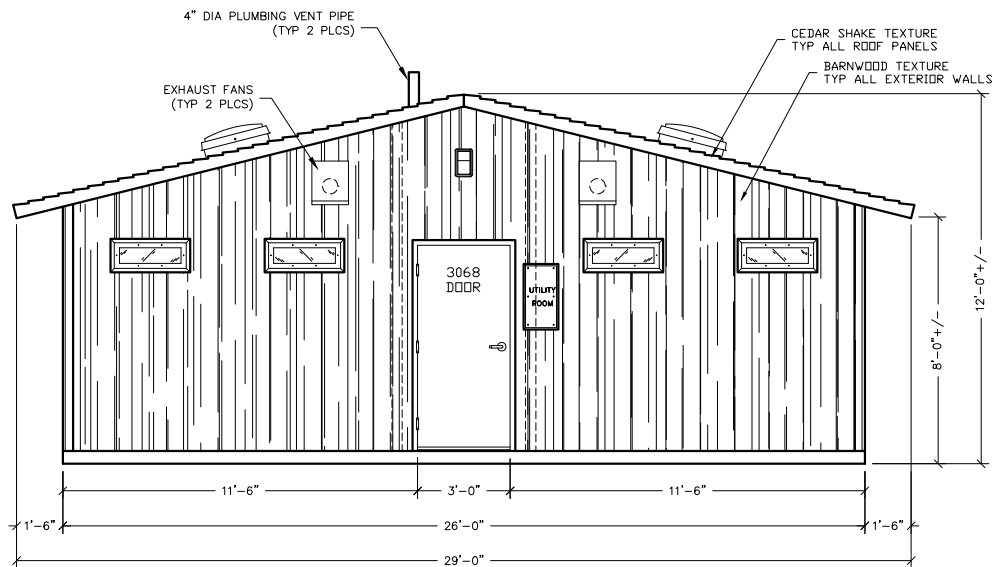
FLOOR PLAN

DWG NO.	SHEET	REV.
TA-03		



FRONT ELEVATION

FOR REFERENCE ONLY



REAR ELEVATION

3808 N. Sullivan Bldg. #7 Spokane, WA 99216

CXT
Precast Products

901 N. Highway 77 Hillbaro, TX 76645

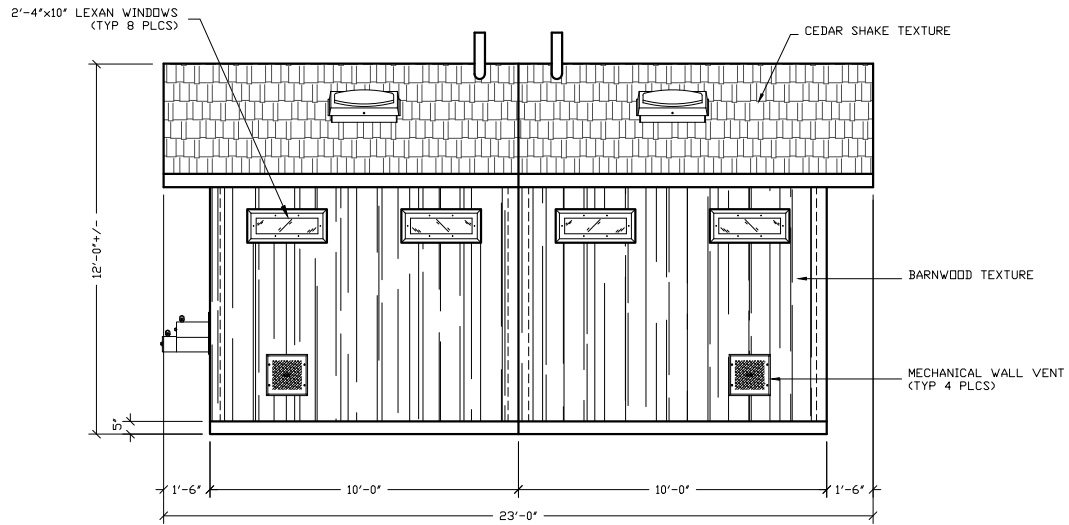
PROJECT TITLE
TAOS
CXT STANDARD BUILDING

NOTICE
The information contained herein is proprietary and the exclusive property of CXT Incorporated. The information may only be used by the original recipient for the purpose intended. Reproduction or distribution of this information is strictly prohibited without the prior written consent of CXT Incorporated. By allowing use of this information, CXT Incorporated grants no warranty, express or implied, including a warranty of merchantability or of fitness for a particular purpose.

REV.	DESCRIPTION	APPROVAL	DATE
SCALE	1/4"=1'-0"	DATE	04-30-18
DRAWN	FILE NO.	FD-TAD4	
CHECKED	PLOT	48	

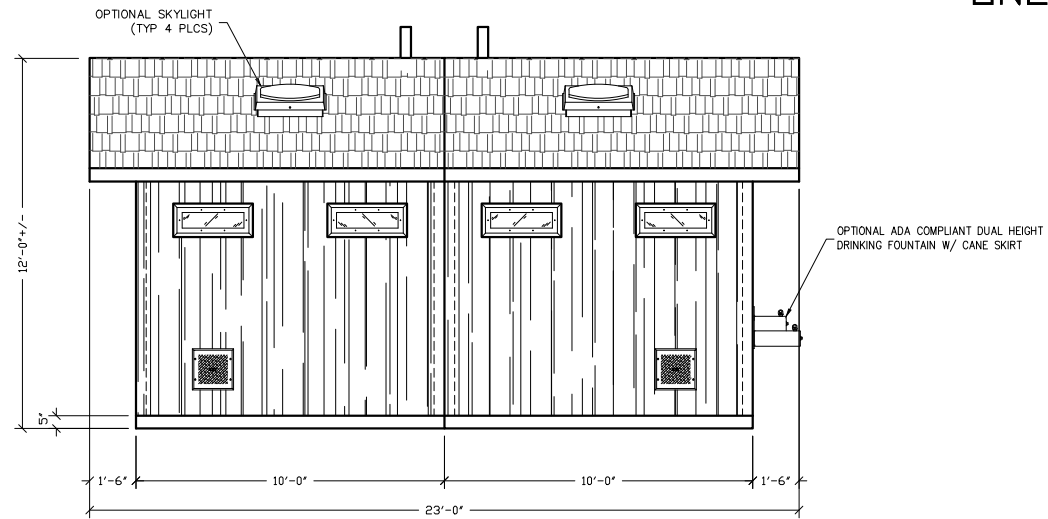
BUILDING ELEVATIONS

DWG NO.	SHEET	REV.
TA-04		



RH SIDE ELEVATION

FOR
REFERENCE
ONLY



LH SIDE ELEVATION

3808 N. Sullivan Bldg. #7 Spokane, WA 99216

CXT
Precast Products

901 N. Highway 77 Hillsboro, TX 76645

PROJECT NAME
TAOS
CXT STANDARD BUILDING

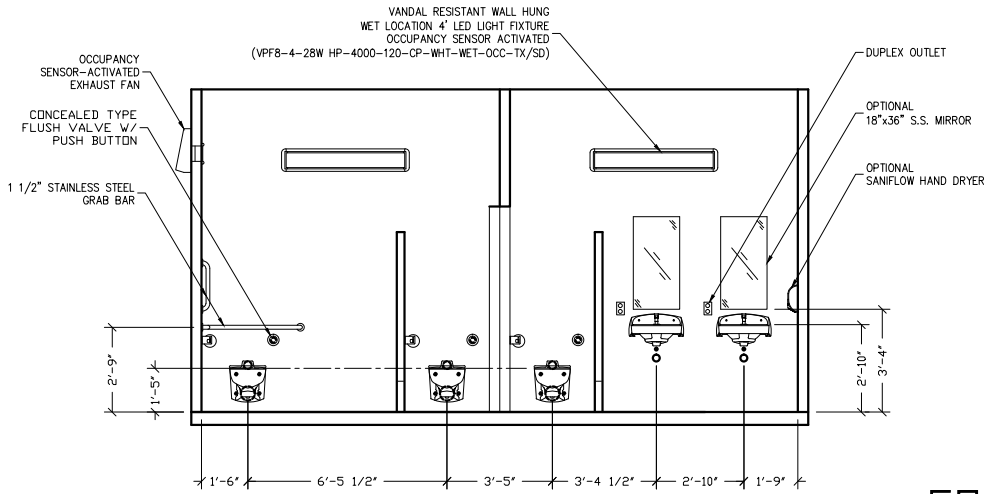
NOTICE
The information contained herein is proprietary and the exclusive property of CXT Incorporated. The information may only be used by the original recipient for the purpose intended. Reproduction or distribution of this information is strictly prohibited without the prior written consent of CXT Incorporated. By allowing use of this information, CXT Incorporated grants no warranty, express or implied, including a warranty of merchantability or of fitness for a particular purpose.

CXT Incorporated			

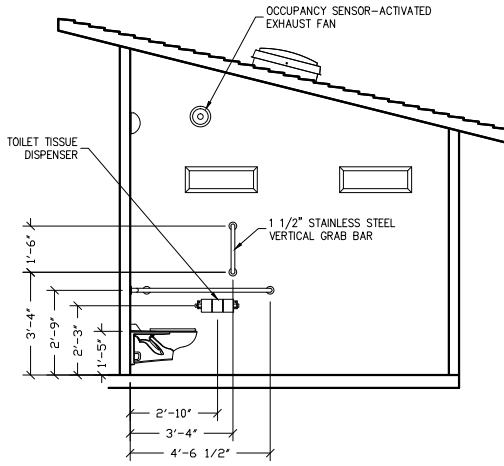
REV.	DESCRIPTION	APPROVAL	DATE
SCALE	1/4"=1'-0"	DATE	04-30-16
DRAWN	FILE NO.	EQ-TAOS	
CHECKED	PLOT	48	

BUILDING ELEVATIONS

DWG NO.	SHEET	REV.
TA-05		

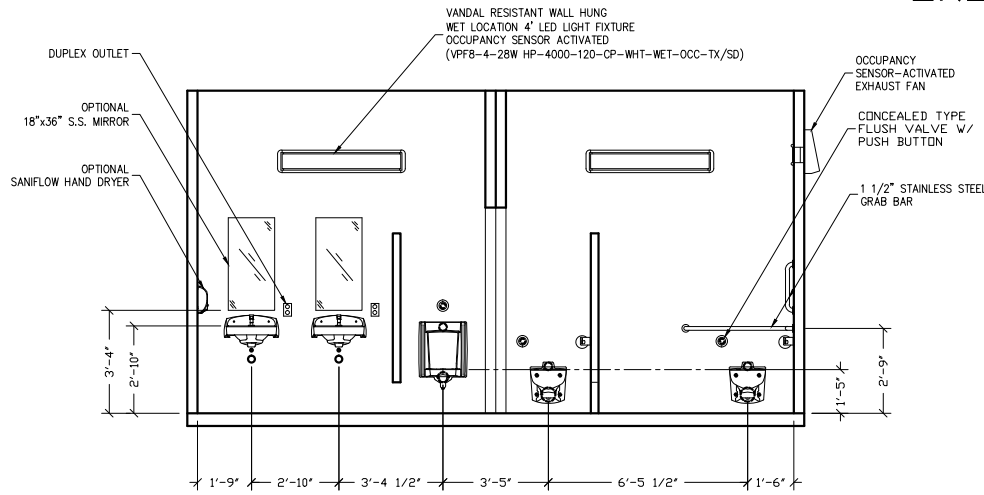


INTERIOR ELEVATION - WOMEN'S RESTROOM

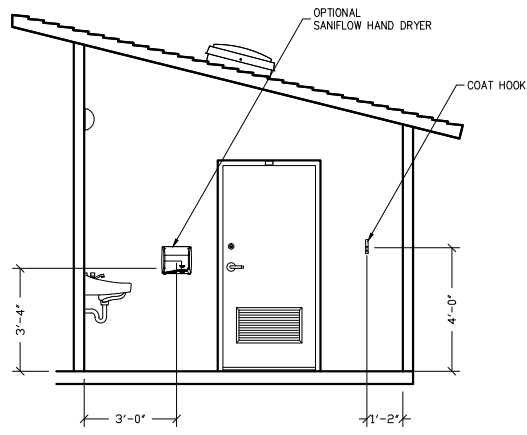


INTERIOR ELEVATION - MEN'S RESTROOM

FOR
REFERENCE
ONLY



INTERIOR ELEVATION - MEN'S RESTROOM



INTERIOR ELEVATION - WOMEN'S RESTROOM
MENS OPPOSITE HAND

3808 N. Sullivan Bldg. #7 Spokane, WA 99216

CXT
Precast Products

901 N. Highway 77 Hillburo, TX 76645

PROJECT TITLE
TAOS
CXT STANDARD BUILDING

NOTICE
The information contained herein is proprietary and the exclusive property of CXT Incorporated. The information may only be used by the original recipient for the purpose intended. Reproduction or distribution of this information is strictly prohibited without the prior written consent of CXT Incorporated. By using this information, CXT Incorporated grants no warranty, express or implied, including a warranty of merchantability or of fitness for a particular purpose.

CXT Incorporated			

REV.	DESCRIPTION	APPROVAL	DATE
SCALE	1/4"=1'-0"	DATE	04-30-16
DRAWN	FILE NO.	FD-TAOS	
CHECKED	PLOT	48	

INTERIOR ELEVATIONS

DWG NO.	SHEET	REV.
TA-06		