

FLOOR PLAN

FOR
REFERENCE
ONLY

3808 N. Sullivan Bldg. #7 Spokane, WA 99216



901 N. Highway 77 Hillboro, TX 76645

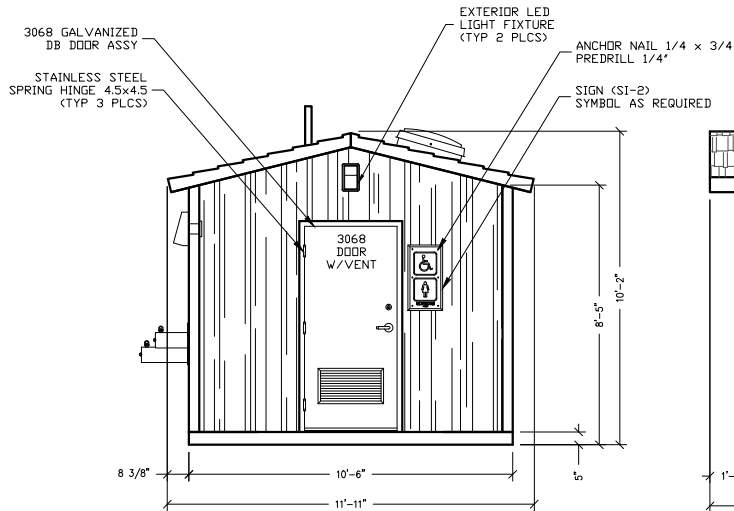
PROJECT FILE
RAINIER
CXT STANDARD BUILDING

NOTICE
The information contained herein is proprietary and the exclusive property of CXT Incorporated. The information may only be used by the original recipient for the purpose intended. Reproduction or distribution of this information is strictly prohibited without the prior written consent of CXT Incorporated. By utilizing use of this information, CXT Incorporated grants no warranty, express or implied, including a warranty of merchantability or of fitness for a particular purpose.

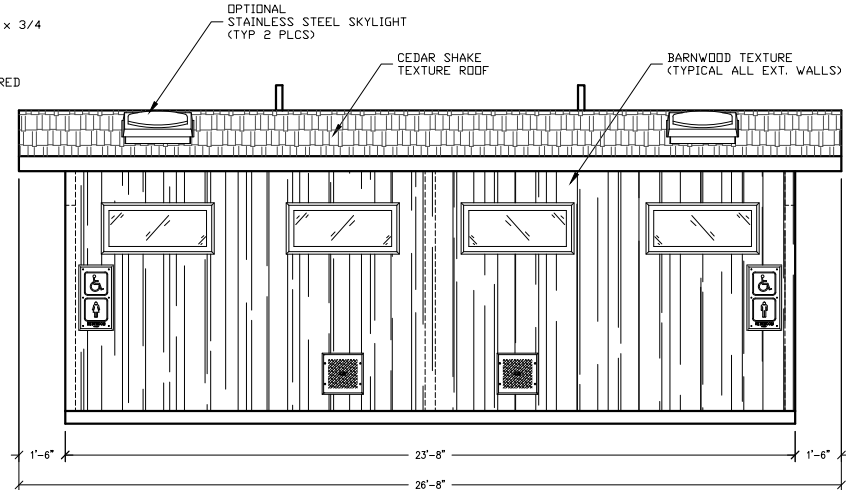
REV.	DESCRIPTION	APPROVED	DATE
SCALE	3/8"=1'-0"	DATE	04-30-18
DRAWN	FILE NO.	00-RN-03	
CHECKED	PLOT	32	

FLOOR PLAN

DWG NO.	SHEET	REV.
RN-03		

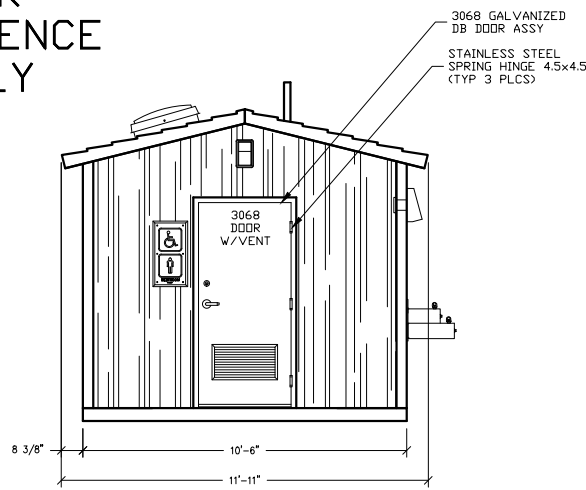


LEFT SIDE ELEVATION

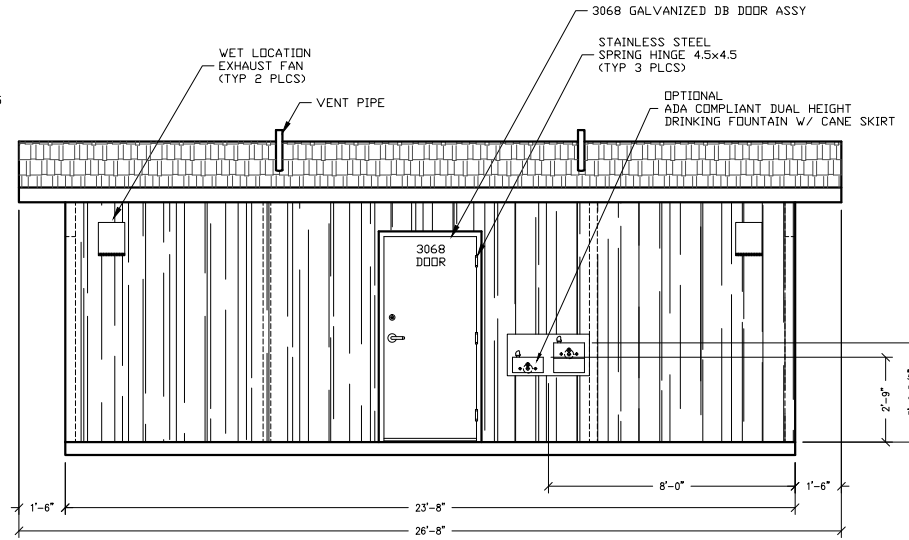


FRONT ELEVATION

FOR REFERENCE ONLY



RIGHT SIDE ELEVATION



BACK ELEVATION

EMBEDDED MATERIALS	
ITEM	QTY
SI-2	4
ANCHOR NAIL 1/4x3/4	24
3068 DOOR ASSEMBLY	3
S.S. SPRING HINGE 4.5x4.5	9

CU. FT. CONC.	SO. FT. W.W.F.

APPROXIMATE WEIGHT

3808 N. Sullivan Bldg, #7 Spokane, WA 99216



PROJECT TITLE
RAINIER
CXT STANDARD BUILDING

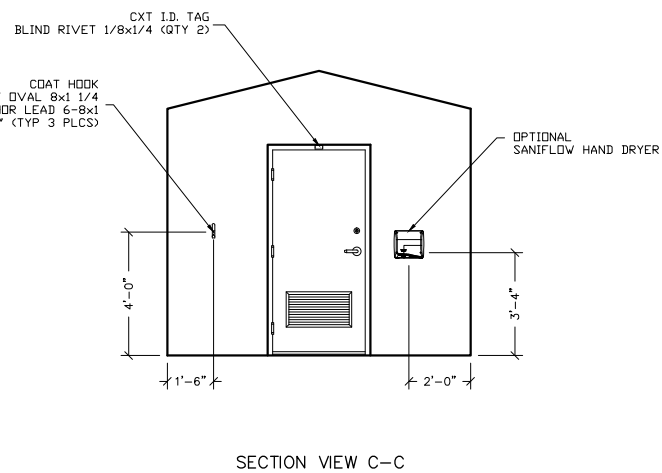
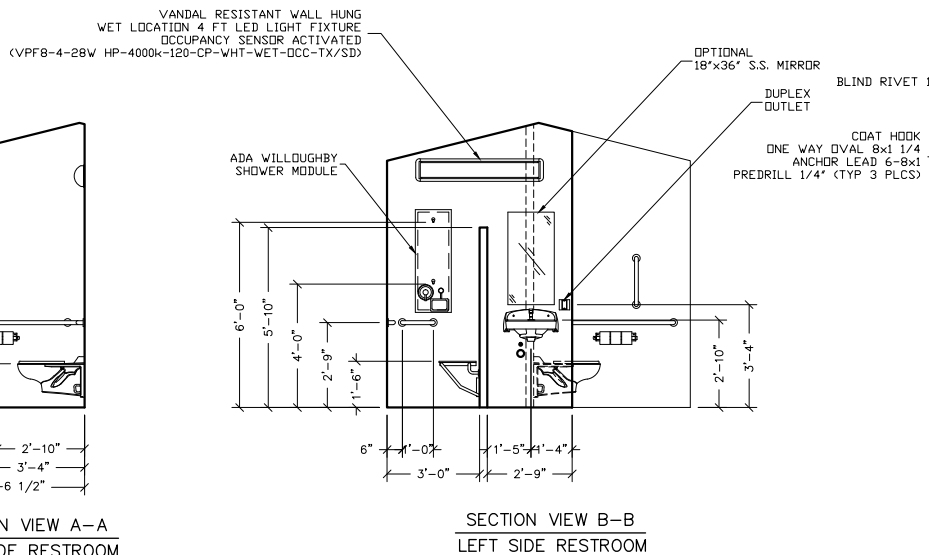
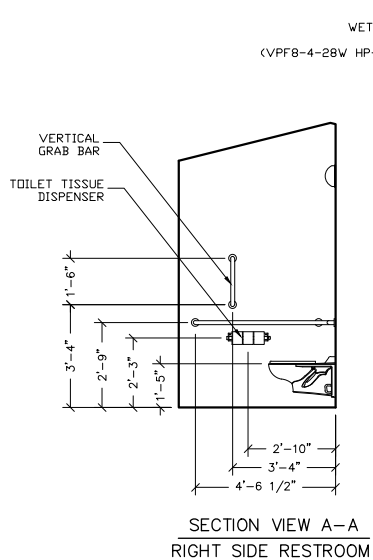
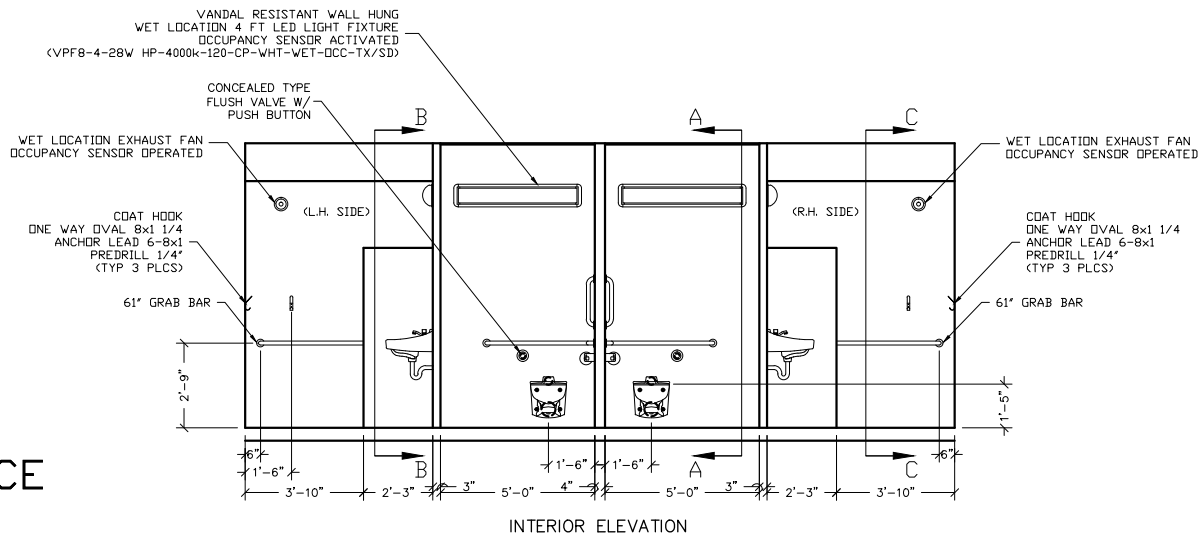
NOTICE
The information contained herein is proprietary and the exclusive property of CXT Incorporated. The information may only be used by the original recipient for the purpose intended. Reproduction or distribution of this information is strictly prohibited without the prior written consent of CXT Incorporated. By allowing use of this information, CXT Incorporated grants no warranty, express or implied, including a warranty of merchantability or of fitness for a particular purpose.
CXT Incorporated

REV.	DESCRIPTION	DATE
SCALE	1/4"=1'-0"	DATE
DRAWN	FILE NO.	90-RN04
CHECKED	PLOT	48

BUILDING ELEVATIONS

DWG NO.	SHEET	REV.
RN-04		

FOR
REFERENCE
ONLY



3808 N. Sullivan Bldg. #7 Spokane, WA 99216

CXT
Precast Products
901 N. Highway 77 Hillsboro, TX 76645

PROJECT FILE
RAINIER
CXT STANDARD BUILDING

NOTICE
The information contained herein is proprietary and the exclusive property of CXT Incorporated. The information may only be used by the original recipient for the purpose intended. Reproduction or distribution of this information is strictly prohibited without the prior written consent of CXT Incorporated. By allowing use of this information, CXT Incorporated grants no warranty, express or implied, including a warranty of merchantability or of fitness for a particular purpose.

REV.	DESCRIPTION	APPROVED	DATE
SCALE	1/4"=1'-0"	DATE	04-20-18
DRAWN	FILE NO.	PP-RN05	
CHECKED	PLOT	48	

INTERIOR ELEVATIONS

DWG NO. **RN-05** SHEET REV.