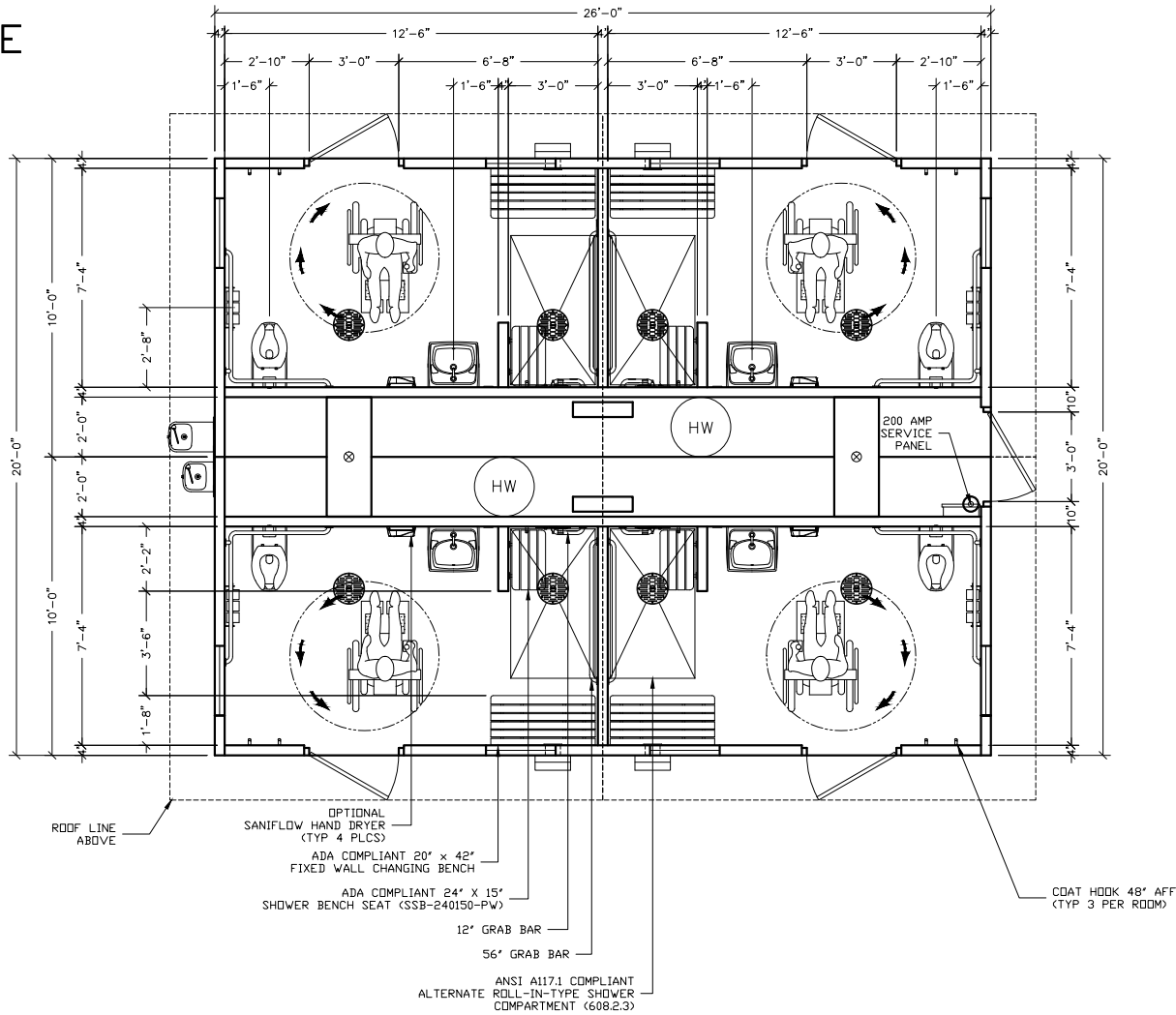


FOR
REFERENCE
ONLY



NOTE: PLUMBING COMPONENTS ARE SHOWN FOR GENERAL ARRANGEMENT ONLY. SEE SHEETS N-27 THRU N-29 FOR COMPLETE SYSTEM DESCRIPTIONS.



PROJECT FILE
NAVAJO
CXT STANDARD BUILDING

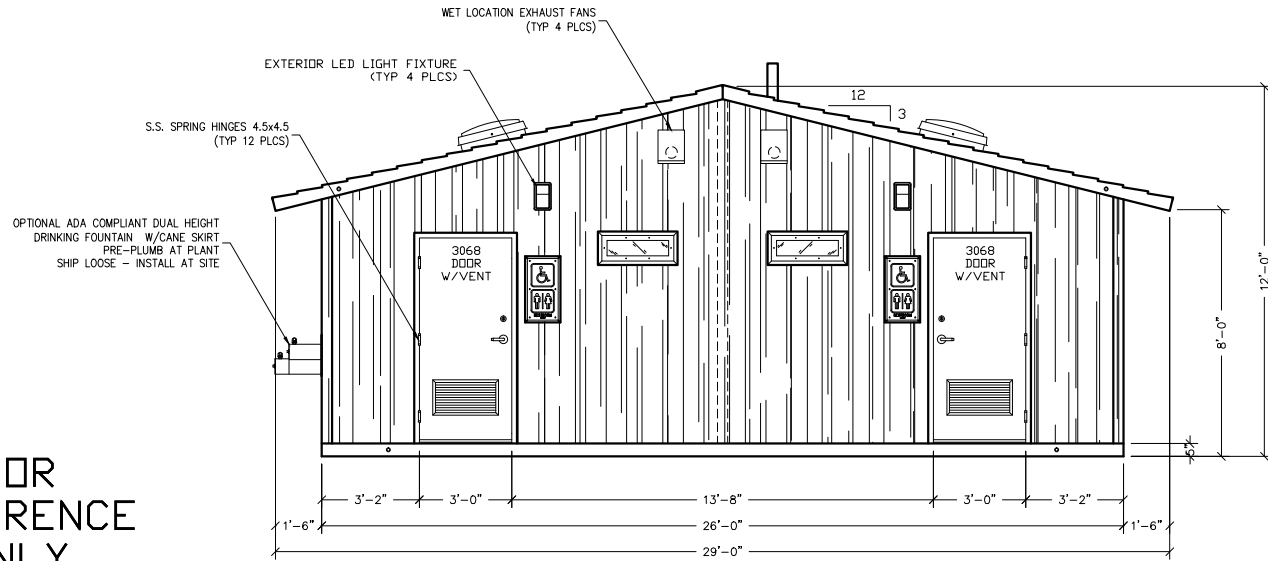
NOTICE
The information contained herein is proprietary and the exclusive property of CXT Incorporated. The information may only be used by the original recipient for the purpose intended. Reproduction or distribution of this information is strictly prohibited without the prior written consent of CXT Incorporated. By allowing use of this information, CXT Incorporated grants no warranty, express or implied, including a warranty of merchantability or of fitness for a particular purpose.
CXT Incorporated

REV.	DESCRIPTION	DATE	APPROVED	SIGN.
SCALE	1/4"=1'-0"	DATE	04-30-16	
DRAWN		FILE NO.	90-NO3	
CHECKED		PLOT	48	

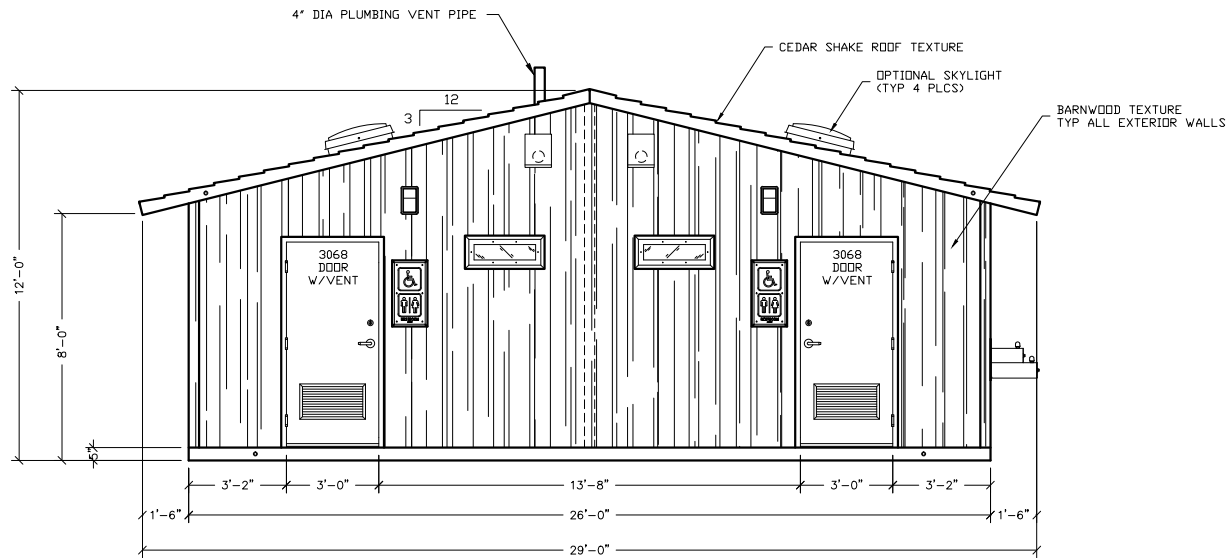
FLOOR PLAN

DWG NO.	SHEET	REV.
N-03		

FOR
REFERENCE
ONLY



FRONT ELEVATION



REAR ELEVATION



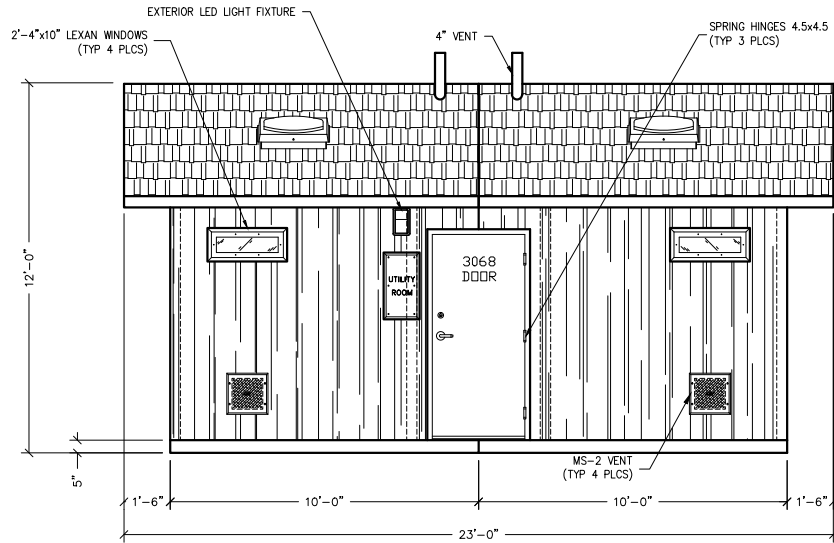
PROJECT TITLE
NAVAJO FLUSH / SHOWER
CXT STANDARD BUILDING

NOTICE
The information contained herein is proprietary and the exclusive property of CXT Incorporated. The information may only be used by the original recipient for the purpose intended. Reproduction or distribution of this information is strictly prohibited without the prior written consent of CXT Incorporated. By allowing use of this information, CXT Incorporated grants no warranty, express or implied, including a warranty of merchantability or of fitness for a particular purpose.
CXT Incorporated

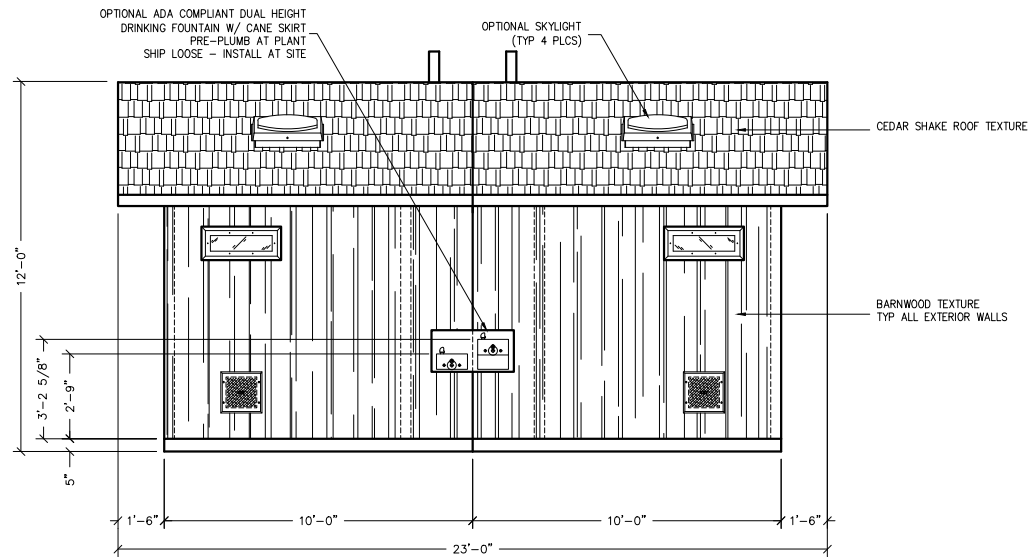
REV.	DESCRIPTION	APPROVED	DATE
SCALE	1/4"=1'-0"	DATE	04-30-16
DRAWN	FILE NO.	PD-N04	
CHECKED	PLOT	48	

BUILDING ELEVATIONS

DWG NO. N-04 SHEET REV.



RH SIDE ELEVATION



LH SIDE ELEVATION

FOR
REFERENCE
ONLY



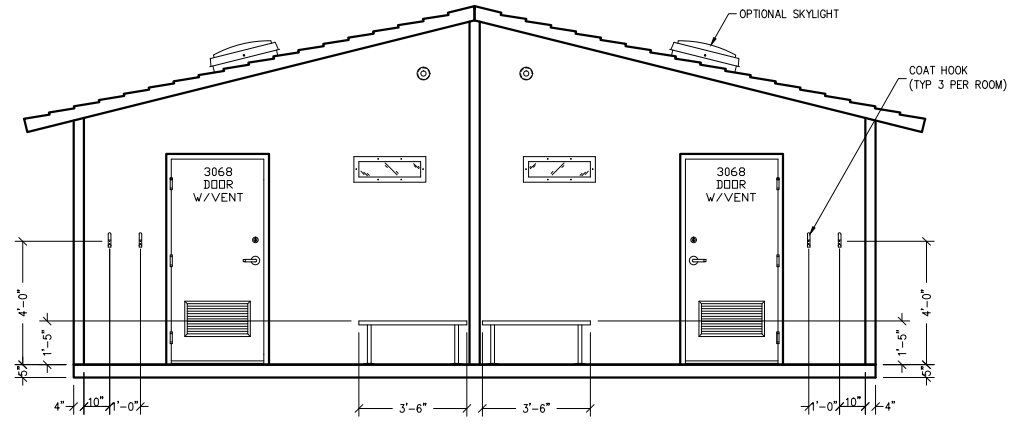
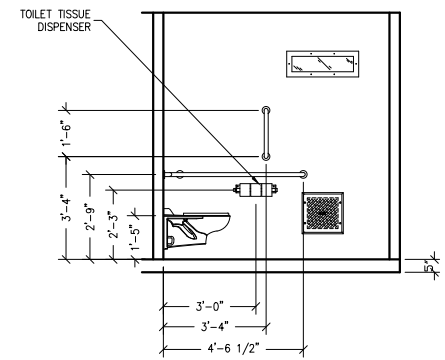
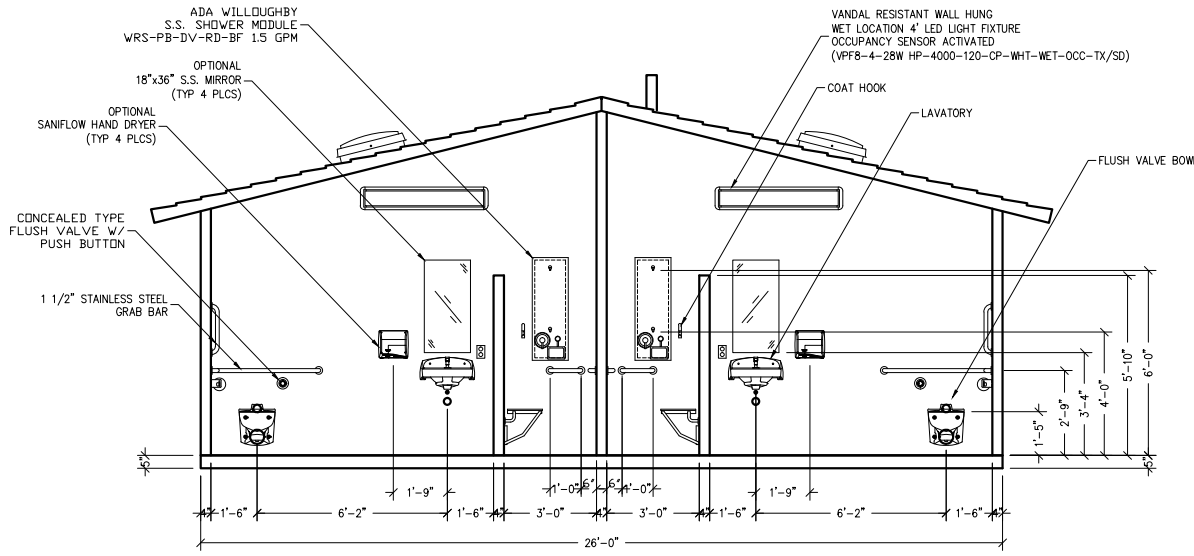
PROJECT TITLE
NAVAJO FLUSH / SHOWER
CXT STANDARD BUILDING

NOTICE
The information contained herein is proprietary and the exclusive property of CXT Incorporated. The information may only be used by the original recipient for the purpose intended. Reproduction or distribution of this information is strictly prohibited without the prior written consent of CXT Incorporated. By allowing use of this information, CXT Incorporated grants no warranty, express or implied, including a warranty of merchantability or of fitness for a particular purpose.
CXT Incorporated

REV.	DESCRIPTION	APPROVED	DATE
SCALE	1/4"=1'-0"	DATE	04-30-16
DRAWN	FILE NO.	PD-NOS	
CHECKED	PLOT	48	

BUILDING ELEVATIONS

DWG NO. N-05 SHEET REV.



FOR
REFERENCE
ONLY



PROJECT TITLE
NAVAJO FLUSH / SHOWER
CXT STANDARD BUILDING

NOTICE
The information contained herein is proprietary and the exclusive property of CXT Incorporated. The information may only be used by the original recipient for the purpose intended. Reproduction or distribution of this information is strictly prohibited without the prior written consent of CXT Incorporated. By allowing use of this information, CXT Incorporated grants no warranty, express or implied, including a warranty of merchantability or of fitness for a particular purpose.

REV.	DESCRIPTION	APPROVED	DATE

SCALE	1/4"=1'-0"	DATE	06-20-16
DRAWN	FILE NO.	90-NOR	
CHECKED	PLOT	48	

INTERIOR ELEVATIONS

DWG NO.	SHEET	REV.
N-06		