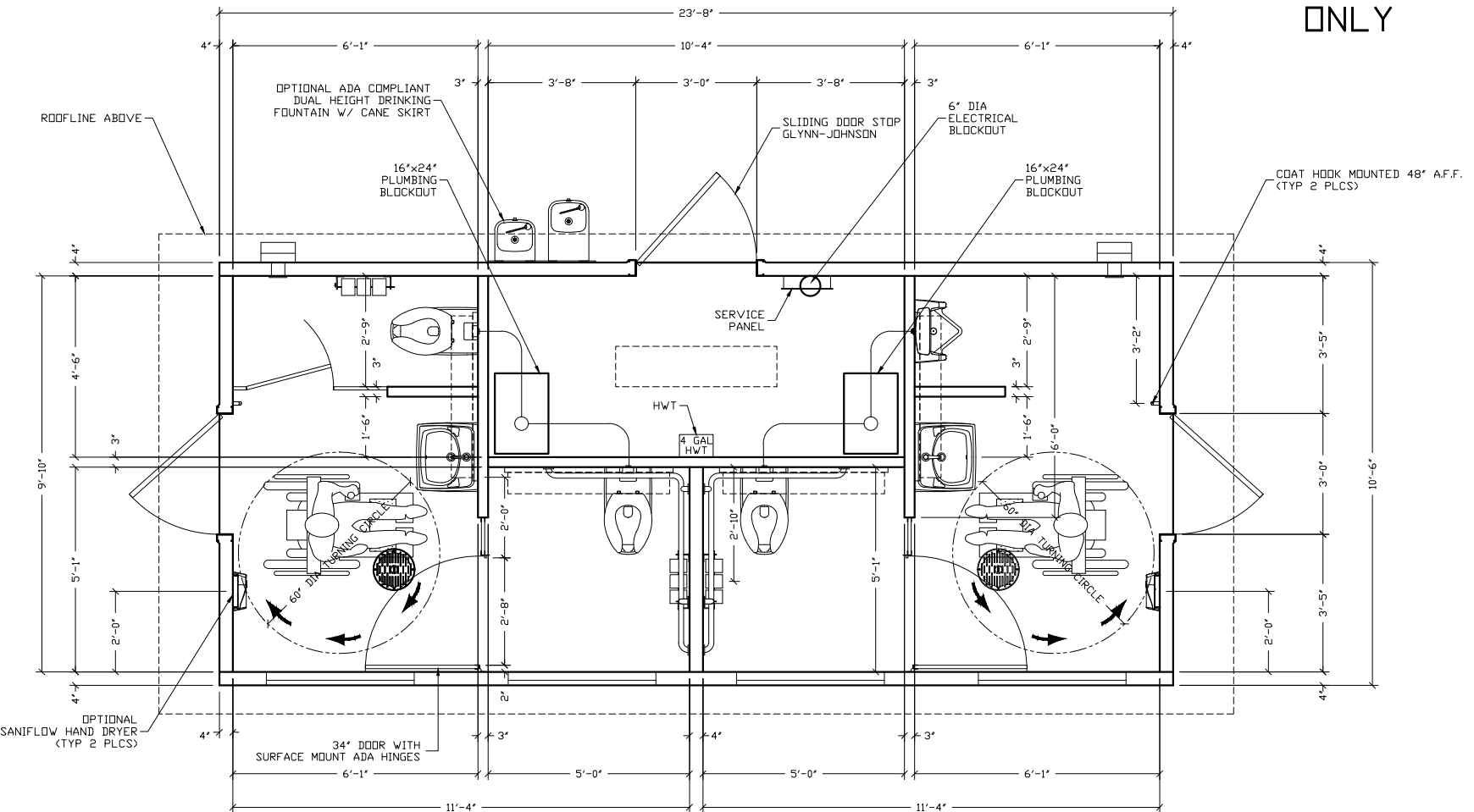


FOR
REFERENCE
ONLY



3808 N. Sullivan Bldg. #7 Spokane, WA 99216



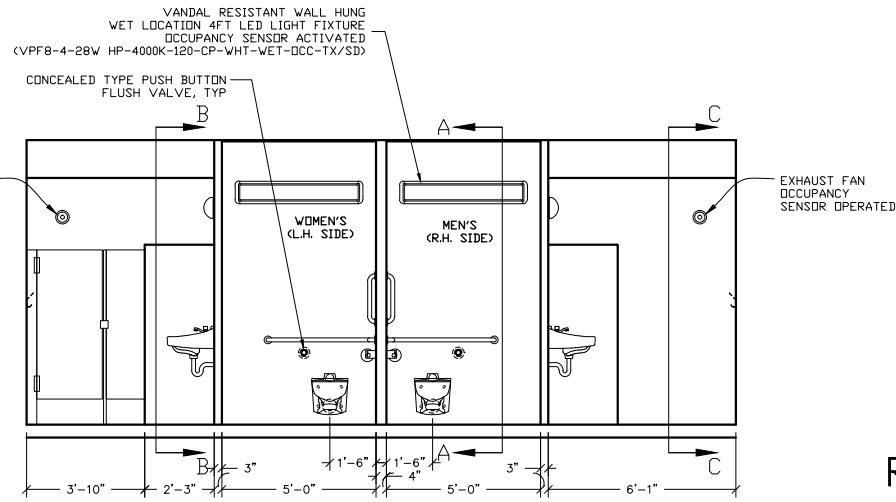
PROJECT TITLE
KODIAK
CXT STANDARD BUILDING

NOTICE
The information contained herein is proprietary and the exclusive property of CXT Incorporated. The information may only be used by the original recipient for the purpose intended. Reproduction or distribution of this information is strictly prohibited without the prior written consent of CXT Incorporated. By using this information, CXT Incorporated grants no warranty, express or implied, including a warranty of merchantability or of fitness for a particular purpose.
CXT Incorporated

REV.	DESCRIPTION	APPROVAL	DATE

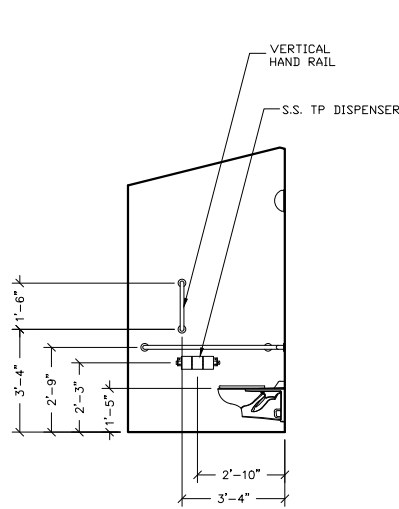
SCALE	3/8"=1'-0"	DATE	04-30-18
DRAWN	FILE NO.	FD-KD03	
CHECKED	PLOT	32	

FLOOR PLAN
DWG NO. **KD-03** SHEET REV.

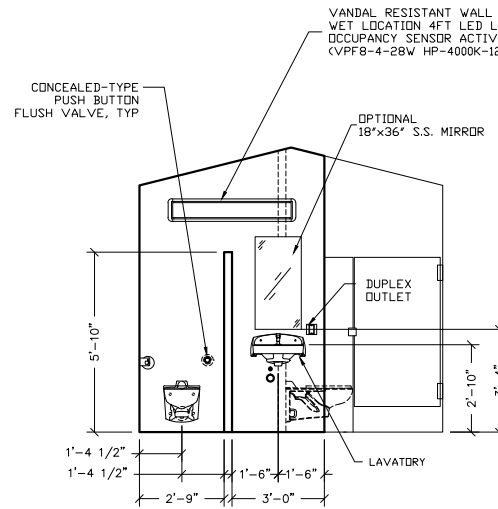


INTERIOR ELEVATION

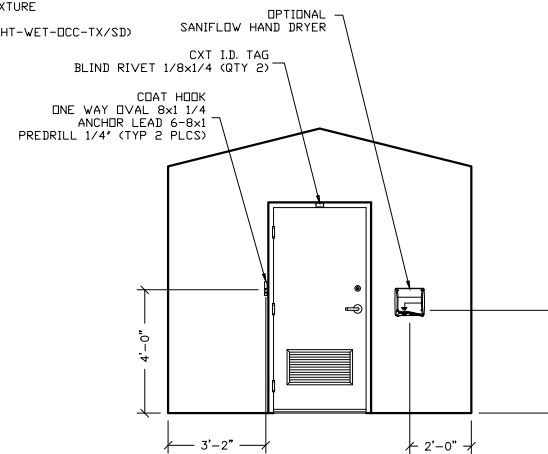
FOR REFERENCE ONLY



SECTION VIEW A-A
MEN'S RESTROOM



SECTION VIEW B-B
WOMEN'S RESTROOM



SECTION VIEW C-C

3808 N. Sullivan Bldg. #7 Spokane, WA 99216

CXT
Precast Products

901 N. Highway 77 Hillsboro, TX 76645

PROJECT TITLE
KODIAK
CXT STANDARD BUILDING

NOTICE
The information contained herein is proprietary and the exclusive property of CXT Incorporated. The information may only be used by the original recipient for the purpose intended. Reproduction or distribution of this information is strictly prohibited without the prior written consent of CXT Incorporated. By allowing use of this information, CXT Incorporated grants no warranty, express or implied, including a warranty of merchantability or of fitness for a particular purpose.

CXT Incorporated			

REV.	DESCRIPTION	APPROVAL	DATE
DRAWN	1/4"=1'-0"	DATE	04-30-18
CHECKED	FILE NO.	FP-K205	

INTERIOR ELEVATIONS

DWG NO.	SHEET	REV.
KD-05		