

FOR
REFERENCE
ONLY

3808 N. Sullivan Bldg, #7 Spokane, WA 99216

CXT
Precast Products
901 N. Highway 77 Hillsboro, TX 76645

PROJECT FILE
FONTANA
CXT STANDARD BUILDING

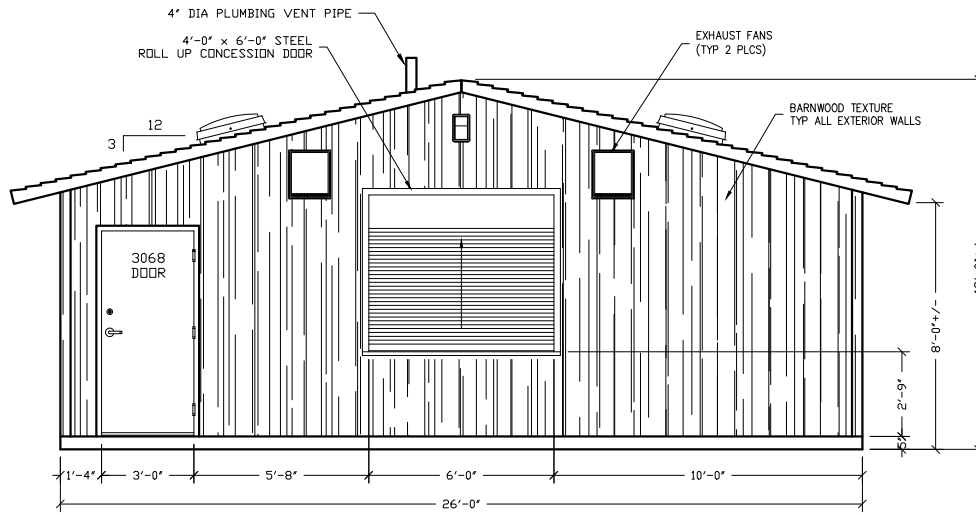
NOTE
The information contained herein is proprietary and the exclusive property of CXT Incorporated. The information may only be used by the original recipient for the purpose intended. Reproduction or distribution of this information is strictly prohibited without the prior written consent of CXT Incorporated. By allowing use of this information, CXT Incorporated grants no warranty, express or implied, including a warranty of merchantability or of fitness for a particular purpose.

CXT Incorporated

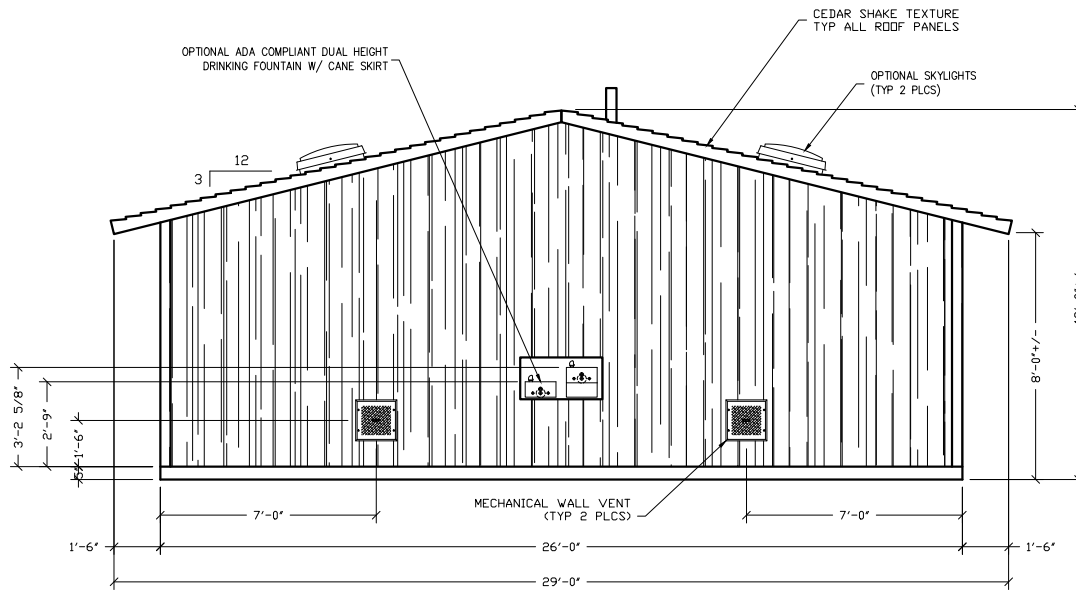
REV.	DESCRIPTION	APPROVED	DATE
SCALE	1/4"=1'-0"	DATE	06-20-18
DRAWN	FILE NO.	PL	90-2103
CHECKED	PLOT		48

FLOOR PLAN

DWG NO.	SHEET	REV.
FT-03		



REAR ELEVATION



REAR ELEVATION

FOR
REFERENCE
ONLY

3808 N. Sullivan Bldg. #7 Spokane, WA 99216

CXT
Precast Products
901 N. Highway 77 Hillsboro, TX 76645

PROJECT FILE
FONTANA
CXT STANDARD BUILDING

NOTE
The information contained herein is proprietary and the exclusive property of CXT Incorporated. The information may only be used by the original recipient for the purpose intended. Reproduction or distribution of this information is strictly prohibited without the prior written consent of CXT Incorporated. By allowing use of this information, CXT Incorporated grants no warranty, express or implied, including a warranty of merchantability or of fitness for a particular purpose.

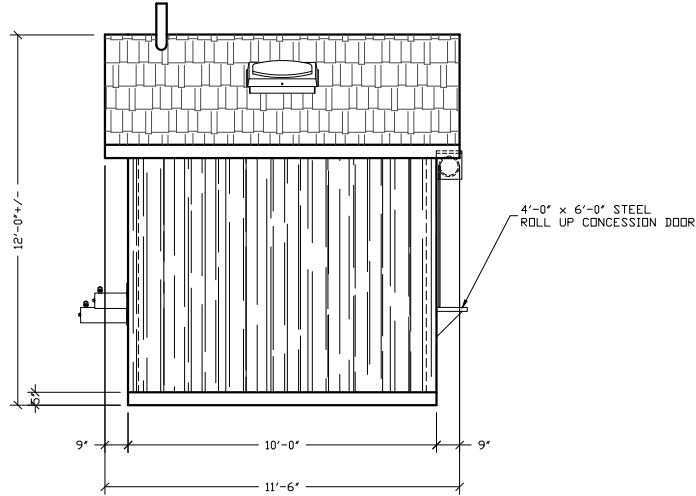
CXT Incorporated

REV.	DESCRIPTION	DATE	APPROVED	DATE
SCALE	1/4"=1'-0"	DATE	06-20-16	
DRAWN	FILE NO.	90-2104		
CHECKED	PLOT	48		

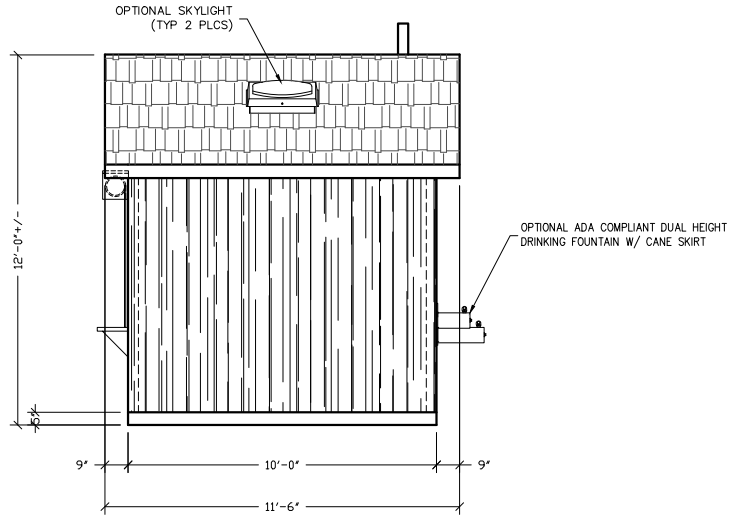
BUILDING ELEVATIONS

DWG NO.	SHEET	REV.
FT-04		

FOR
REFERENCE
ONLY



LH SIDE ELEVATION



RH SIDE ELEVATION

3808 N. Sullivan Bldg. #7 Spokane, WA 99216



901 N. Highway 77 Hillboro, TX 76645

PROJECT TITLE
FONTANA
CXT STANDARD BUILDING

NOTICE

The information contained herein is proprietary and the exclusive property of CXT Incorporated. The information may only be used by the original recipient for the purpose intended. Reproduction or distribution of this information is strictly prohibited without the prior written consent of CXT Incorporated. By allowing use of this information, CXT Incorporated grants no warranty, express or implied, including a warranty of merchantability or of fitness for a particular purpose.

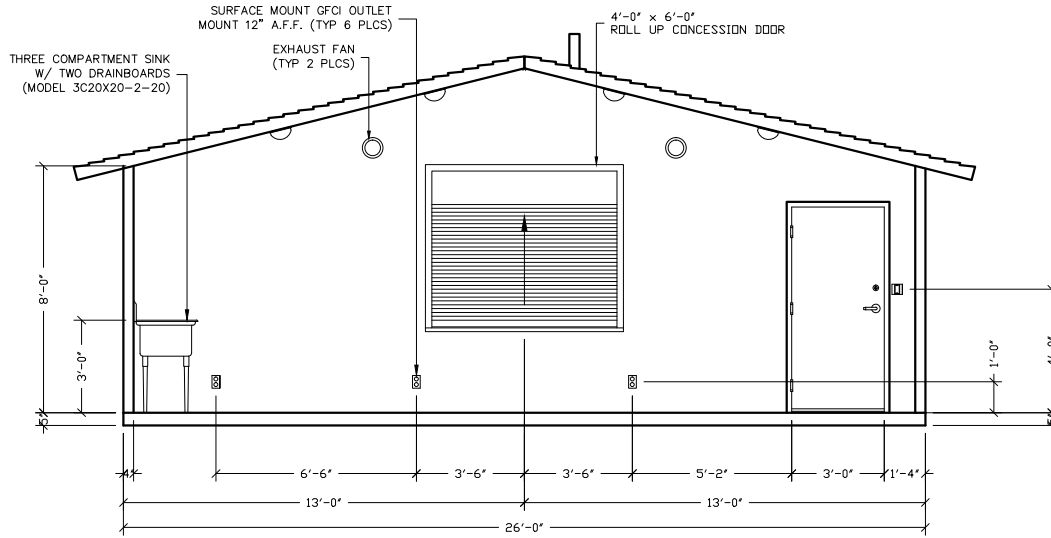
CXT Incorporated

REV.	DESCRIPTION	APPROVAL	DATE

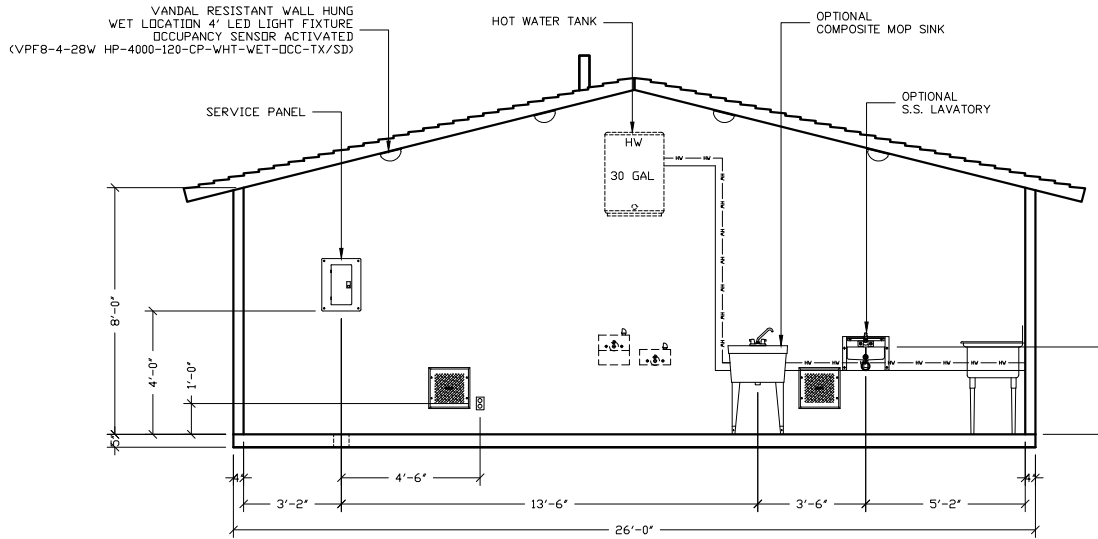
SCALE	1/4"=1'-0"	DATE	06-20-18
DRAWN	FILE NO.	90-2100	
CHECKED	PLOT	48	

BUILDING ELEVATIONS

DWG NO.	SHEET	REV.
FT-05		



CONCESSION FRONT WALL INTERIOR ELEVATION



CONCESSION BACK WALL INTERIOR ELEVATION

FOR REFERENCE ONLY

3808 N. Sullivan Bldg. #7 Spokane, WA 99216



PROJECT FILE
FONTANA
 CXT STANDARD BUILDING

NOTICE
 The information contained herein is proprietary and the exclusive property of CXT Incorporated. The information may only be used by the original recipient for the purpose intended. Reproduction or distribution of this information is strictly prohibited without the prior written consent of CXT Incorporated. By allowing use of this information, CXT Incorporated grants no warranty, express or implied, including a warranty of merchantability or of fitness for a particular purpose.
 CXT Incorporated

REV.	DESCRIPTION	DATE	APPROVAL	DATE
SCALE	1/4"=1'-0"	DATE		06-20-18
DRAWN		FILE NO.		90-2100
CHECKED		PLOT		48

CONCESSION
 INTERIOR ELEVATIONS

DWG NO.	SHEET	REV.
FT-06		