

FOR  
REFERENCE  
ONLY

3808 N. Sullivan Bldg. #7 Spokane, WA 99216



Precast Products

901 N. Highway 77 Hillsboro, TX 76645

PROJECT FILE  
CORTEZ  
CXT STANDARD BUILDING

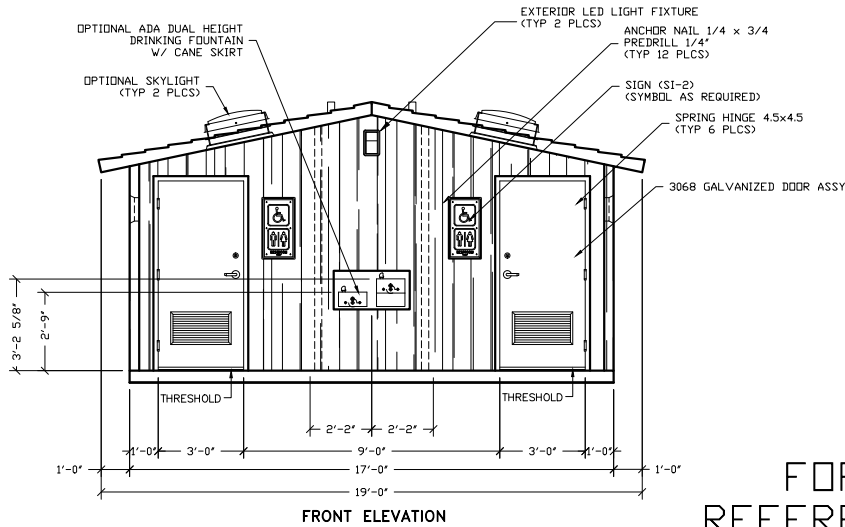
NOTICE  
The information contained herein is proprietary and the exclusive property of CXT Incorporated. The information may only be used by the original recipient for the purpose intended. Reproduction or distribution of this information is strictly prohibited without the prior written consent of CXT Incorporated. By allowing use of this information, CXT Incorporated grants no warranty, express or implied, including a warranty of merchantability or of fitness for a particular purpose.  
CXT Incorporated

REV.	DESCRIPTION	APPROVED	DATE

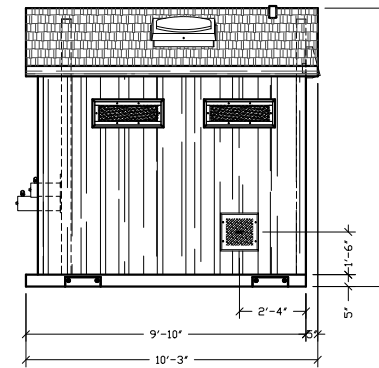
SCALE	FILE NO.	DATE
1/2" = 1'-0"	PD-CR03	04-30-16
DRAWN	FILE NO.	DATE
CHECKED	PLT	24

FLOOR PLAN

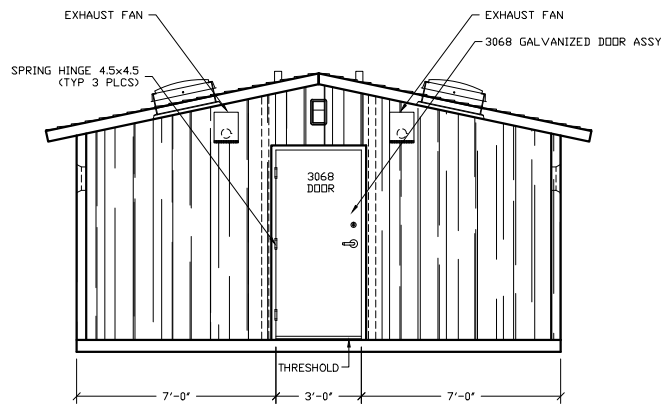
DWG NO.	SHEET	REV.
CR-03		



FRONT ELEVATION

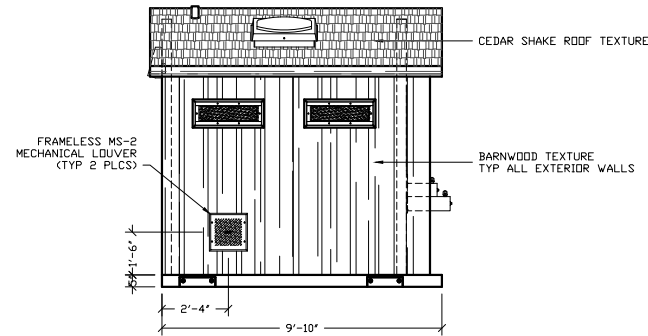


RIGHT SIDE ELEVATION



REAR ELEVATION

FOR  
REFERENCE  
ONLY



LEFT SIDE ELEVATION

EMBEDDED MATERIALS	
ITEM	QTY
3068 DOOR ASSEMBLY	3
SPRING HINGE 4.5x4.5	9
SI-2	2
ANCHOR NAIL 1/4x3/4	12

CU. FT. CONC.      SQ. FT. W.W.F.

APPROXIMATE WEIGHT

3808 N. Sullivan Bldg. #7 Spokane, WA 99216  
  
**Precast Products**  
 901 N. Highway 77 Hillaboro, TX 76645

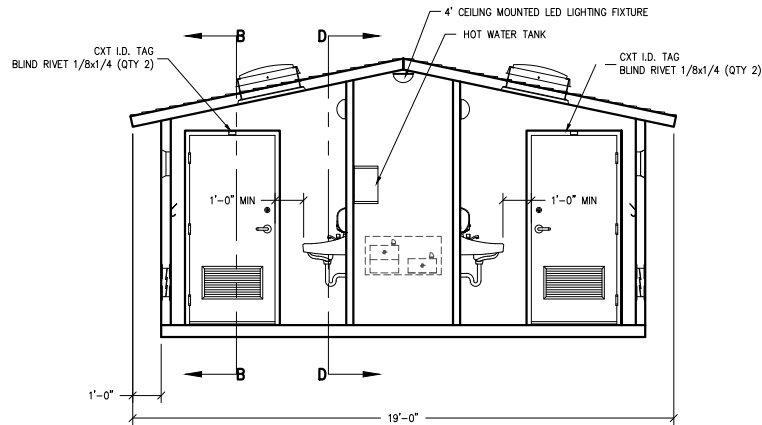
PROJECT TITLE  
**CORTEZ**  
 CXT STANDARD BUILDING

NOTICE  
 The information contained herein is proprietary and the exclusive property of CXT Incorporated. The information may only be used by the original recipient for the purpose intended. Reproduction or distribution of this information is strictly prohibited without the prior written consent of CXT Incorporated. By showing use of this information, CXT Incorporated grants no warranty, express or implied, including a warranty of merchantability or of fitness for a particular purpose.

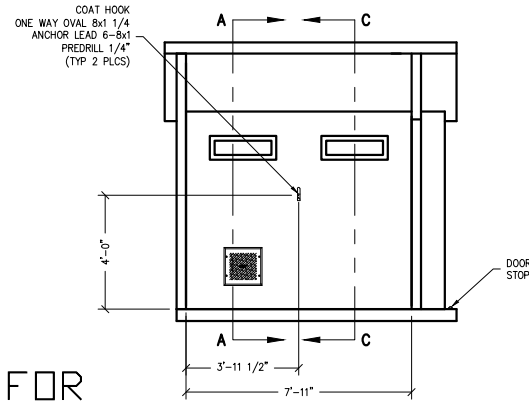
REV.	DESCRIPTION	APPROVED	DATE
SCALE	1/4" = 1'-0"	DATE	04-30-16
DRAWN	FILE NO.	PG	CR-04
CHECKED	PILOT	48	

BUILDING ELEVATIONS

DWG NO.      SHEET      REV.  
 CR-04

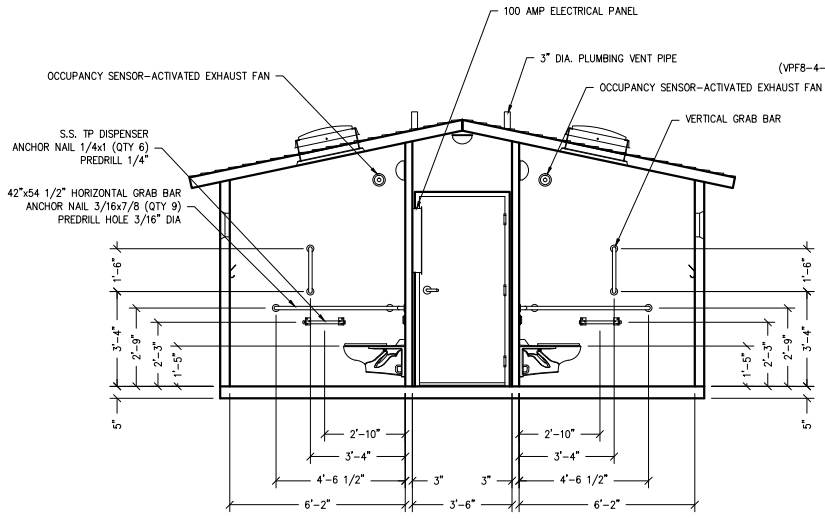


SECTION A - A

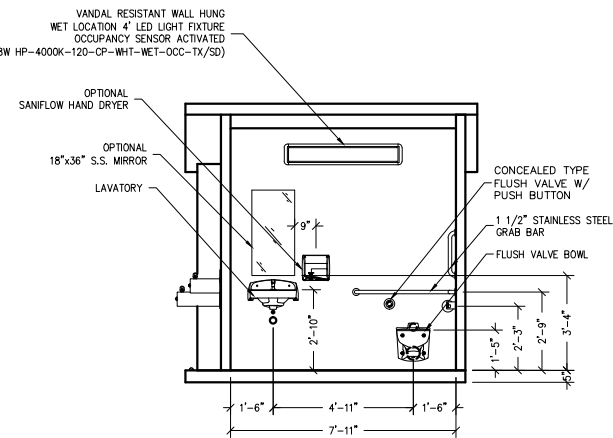


SECTION B - B

FOR  
REFERENCE  
ONLY



SECTION C - C



SECTION D - D

EMBEDDED MATERIALS	
ITEM	QTY
BLIND RIVET 1/8x1/4	4
GRAB BAR	2
TP DISPENSER	2
TOILET PAPER ROLL	6
COAT HOOK	2
DOOR STOP	2
ONE WAY OVAL 8x1 1/4	4
ANCHOR LEAD 6-8x1	4
CXT I.D. TAG	2
ANCHOR NAIL 1/4x1	12
ANCHOR NAIL 1/4x3/4	8
ANCHOR NAIL 3/16x7/8	30

CU. FT. CONC.	SO. FT. W.W.F.
---------------	----------------

APPROXIMATE WEIGHT

3808 N. Sullivan Bldg. #7 Spokane, WA 99216  
  
**Precast Products**  
 901 N. Highway 77 Hillboro, TX 76645

PROJECT TITLE  
**CORTEZ**  
 CXT STANDARD BUILDING

NOTICE  
 The information contained herein is proprietary and the exclusive property of CXT Incorporated. The information may only be used by the original recipient for the purpose intended. Reproduction or distribution of this information is strictly prohibited without the prior written consent of CXT Incorporated. By allowing use of this information, CXT Incorporated grants no warranty, express or implied, including a warranty of merchantability or of fitness for a particular purpose.

REV.	DESCRIPTION	DATE
SCALE	1/4" = 1'-0"	DATE
DRAWN	FILE NO.	PG. CHGS.
CHECKED	FILED	48

INTERIOR ELEVATIONS

DWG. NO.	SHEET	REV.
CR-05		