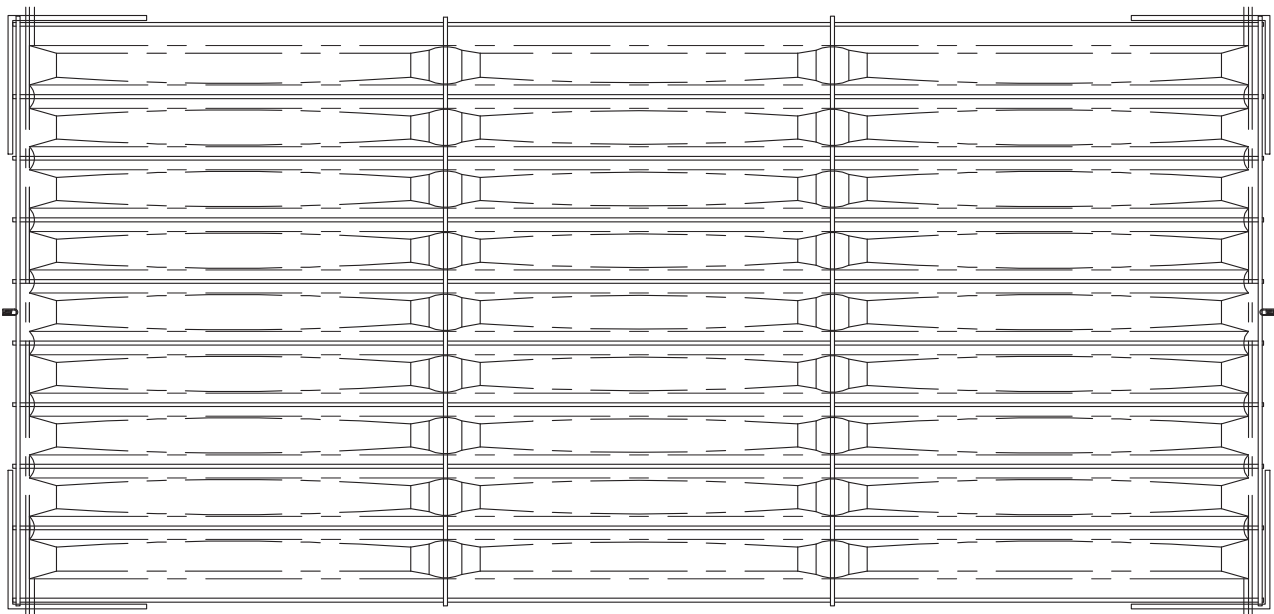


Precast Concrete Cattle Guard

the worry-free choice for securing livestock

Our precast concrete cattle guard will save a lifetime of opening and closing gates. No inconvenience of opening and closing gates, but your livestock will always be secure and controlled. On a busy farm, our cattle guard may be your most productive asset.



- > **Sturdy, maintenance-free concrete construction**
Made of steel-reinforced precast concrete construction, our cattle guard is guaranteed to withstand many years of heavy farm machinery and severe weather.
- > **Quick and easy Installation**
Since no footings or foundation are necessary, our cattle guard can be installed and functioning in just 2-4 hours. We will deliver the single, precast unit and set it in place.
- > **Available today from our considerable inventory**
Order your cattle guard and enjoy prompt delivery and installation. Our ample inventory ensures you will have the product when needed.
- > **Proven effectiveness on farms**
Over the past 25 years, our cattle guard has been delivering protection and convenience to farmers. Safe design features include rounded rails and built-in footings; while special underside cutaway construction allows for more thorough drainage and easier, less frequent cleaning.

DATASHEET

CATTLE GUARD the worry-free choice for securing livestock

Construction Features

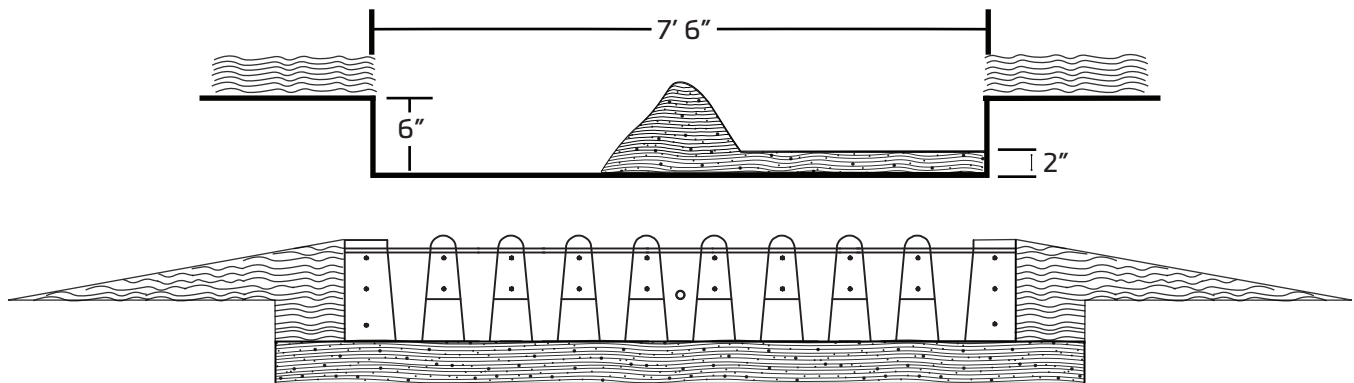
- > Built in footers. No additional footers or foundations required.
- > Rounded rail tops. More efficient cattle barrier than flat topped guards.
- > Cut-a-way rails on bottom side. Makes for better drainage as well as easier and less frequent cleaning.
- > Durable construction. Standard guard built to withstand constant use by tractors and legal highway weight trucks.

Installation

Typical excavation before cattleguard installation:

- > Dig 7 ½' x 15' x 6" deep hole for cattleguard.
- > Refill with 2" of crushed stone (for leveling guard, and to facilitate drainage). Depth may vary according to conditions. *Example:* A normal level farm lane would require 6" depth with 2" of crushed stone. In rough conditions, such as at the bottom of a hill or a muddy road, you may set the cattleguard on top of the road and build up to it. Generally, the higher the cattleguard the better.
- > When digging, place half the dirt on each side of the excavation in the roadway. After guard is set, use this dirt to build up each side of the guard, then cover with fresh gravel.

Installed with grading complete:



Specifications

Width	14' 0"
Cross Width	6' 6"
Depth	12"
Weight	6500 lb
Rails	3" wide with 5" spacing
Steel	Regular guard 350' ½" reinforcing rod Heavy duty guard 350' ⅝" inch reinforcing rod Bridge guard 350' ½" and 1" reinforcing rod