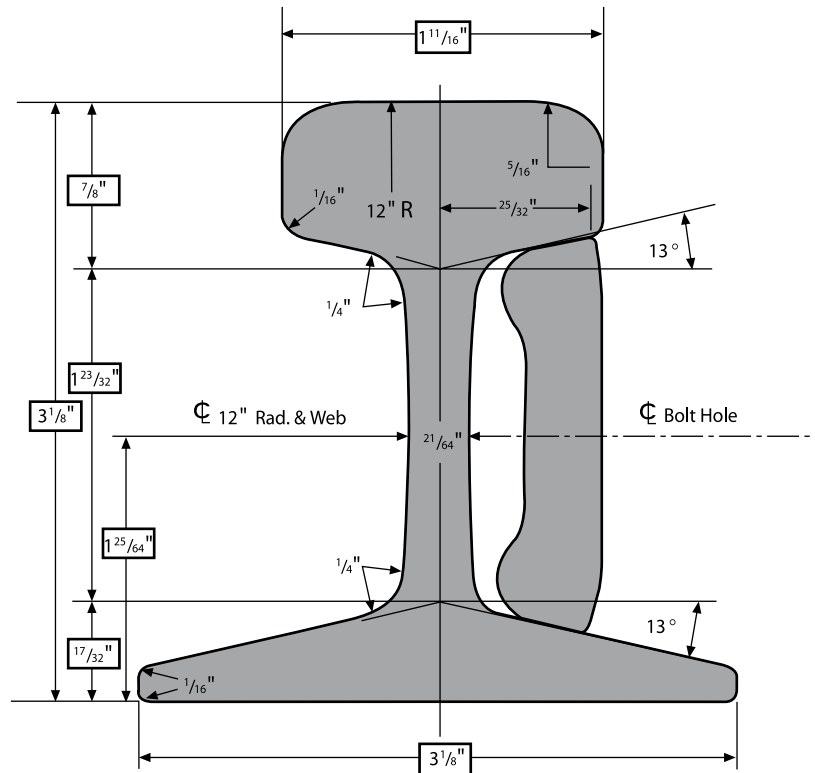


30-lb A.S.C.E. specifications

Scale: Drawing is actual size



SPLICE BAR			RAIL (30 FT, 40 FT)	
16-18" length, 5.5 lbs. per pair. 5/8" x 2-1/2" button head, oval neck track bolt with heavy square nut.				
	30 FT	40 FT		
LBS/FT (Nominal)	2.88	2.88	Area In ²	3.00
Pairs			Sec. Modulus In ³ Head	2.55
Net Ton	6.7	5.0	Mom. Inertia In ⁴	4.10
Mile of Track	352.0	264.0	Lbs/Yd (Nominal)	30.0
			Track Feet/Net Ton	100.0
			Net Tons/Track Mile	52.8